

## PH22S-3POWR-N2P

Mind O≠0, I≠I≠1, S≠5, B≠8.

|                              |                                    |
|------------------------------|------------------------------------|
| Activation                   | push                               |
| Thread                       | M22×1                              |
| Operating mode               | static                             |
| Operating voltage            | 10...35 V <sub>DC</sub>            |
| Reverse polarity protection  | built-in                           |
| Current consumption          | <50 mA @ 35 V <sub>DC</sub>        |
| Current load capability      | 200 mA                             |
| Short circuit protection     | built-in – self resetting          |
| Output polarity              | PNP                                |
| Output function              | —/— normally open                  |
| Number of operations         | 10 <sup>8</sup> ...10 <sup>9</sup> |
| Indicator LED idle↔pushed    | white↔red                          |
| Operating temperature        | –40...+60 °C                       |
| IP Code (front)              | IP 69k                             |
| IP Code (rear)               | IP 67                              |
| IK impact protection (front) | IK 09                              |
| Sensing face material        | polycarbonate                      |
| Annular bezel material       | stainless steel 1.4571             |
| Connection                   | 2 m cable                          |
| Complies with                | CE, RoHS                           |



## Intelligent Push Button 3-Wire DC Static Annular bezel: *Hygienic*



idle



pushed

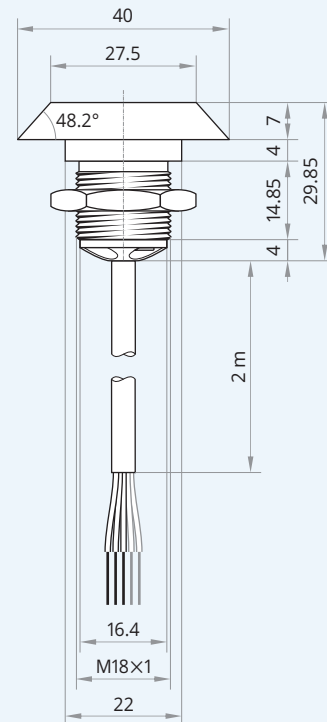
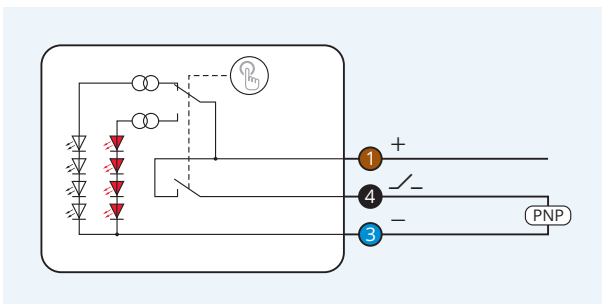
The photos show the same model with M8 male connector and with a pictogram as a sample.



**Warranty** Our products are manufactured to stringent ISO 9001 European standards to ensure that our customers only receive the best quality.



Wiring diagram



**Caution!** This device shall not be used if the safety of persons rely on its faultless function.

XECRO reserves the right to make minor changes without prior notification.