

## PP22T-5NOBR-3U12

Mind O≠0, I≠I≠1, S≠5, B≠8.

Activation	push
Thread	M22×1
Operating mode	latching
Operating voltage $V_+$	10...35 V <sub>DC</sub>
Reverse polarity protection	built-in
Current consumption	<50 mA @ 35 V <sub>DC</sub>
Current load capability	200 mA
Short circuit protection	built-in – self resetting
Input threshold high   low	$0.45 \times V_+   0.55 \times V_+$
Impedance	15 kΩ
Output polarity	NPN
Output function	— normally open
Number of operations	$10^8 \dots 10^9$
Indicator LED aux 1 ↔ aux 2	blue ↔ red
Operating temperature	-40...+60 °C
IP Code (front)	IP 69k
IP Code (rear)	IP 67
IK impact protection (front)	IK 09
Sensing face material	polycarbonate
Annular bezel material	stainless steel 1.4305
Connection	30 cm cable, M12
Complies with	CE, RoHS



## Intelligent Push Button 5-Wire DC Toggle Annular bezel: *Protector*



aux 1



aux 2

The photos show the same model with M8 male connector and with a pictogram as a sample.

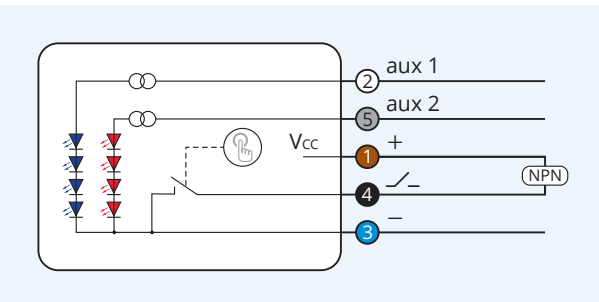
25

months

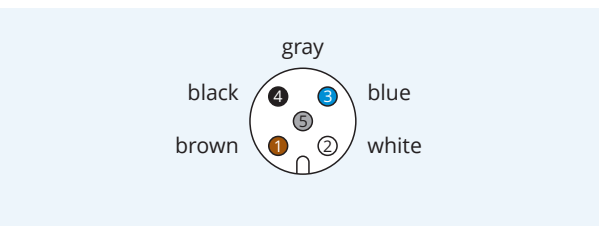
**Warranty** Our products are manufactured to stringent ISO 9001 European standards to ensure that our customers only receive the best quality.

Quality Management  
ISO 9001:2015

Wiring diagram



Pinout



**Caution!** This device shall not be used if the safety of persons rely on its faultless function.

XECRO reserves the right to make minor changes without prior notification.