

PS22D-5NOGR-3U12

Mind O≠0, I≠I≠1, S≠5, B≠8.

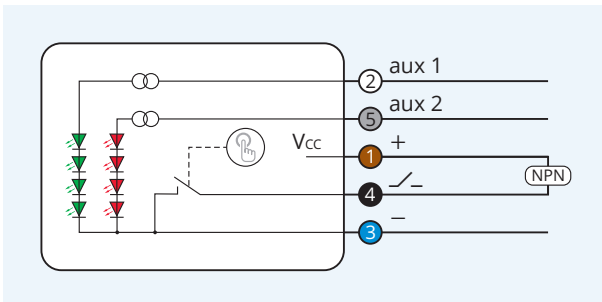
| | |
|------------------------------|--|
| Activation | push |
| Thread | M22×1 |
| Operating mode | dynamic |
| Operating voltage V_+ | 10...35 V _{DC} |
| Reverse polarity protection | built-in |
| Current consumption | <50 mA @ 35 V _{DC} |
| Current load capability | 200 mA |
| Short circuit protection | built-in – self resetting |
| Input threshold high low | $0.45 \times V_+ \mid 0.55 \times V_+$ |
| Impedance | 15 kΩ |
| Output polarity | NPN |
| Output function | — normally open |
| Number of operations | $10^8 \dots 10^9$ |
| Indicator LED aux 1 ↔ aux 2 | green ↔ red |
| Operating temperature | -40...+60 °C |
| IP Code (front) | IP 69k |
| IP Code (rear) | IP 67 |
| IK impact protection (front) | IK 09 |
| Sensing face material | polycarbonate |
| Annular bezel material | stainless steel 1.4305 |
| Connection | 30 cm cable, M12 |
| Complies with | CE, RoHS |



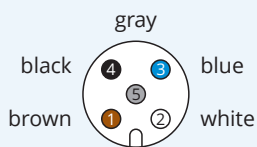
Warranty Our products are manufactured to stringent ISO 9001 European standards to ensure that our customers only receive the best quality.



Wiring diagram



Pinout



Intelligent Push Button 5-Wire DC Dynamic Annular bezel: *Standard*

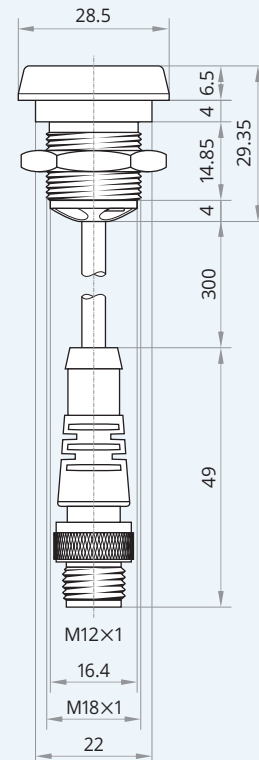


aux 1



aux 2

The photos show the same model with M8 male connector and with a pictogram as a sample.



Caution! This device shall not be used if the safety of persons rely on its faultless function.

XECRO reserves the right to make minor changes without prior notification.