

## TF22D-4PCGR-N2P

Mind O≠0, I≠I≠1, S≠5, B≠8.

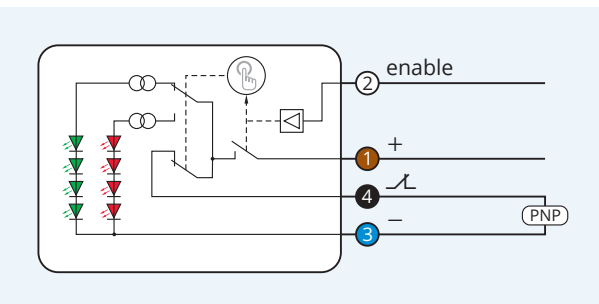
|                              |                                     |
|------------------------------|-------------------------------------|
| Activation                   | touch                               |
| Thread                       | M22×1                               |
| Operating mode               | dynamic                             |
| Operating voltage $V_+$      | 10...35 V <sub>DC</sub>             |
| Reverse polarity protection  | built-in                            |
| Current consumption          | <50 mA @ 35 V <sub>DC</sub>         |
| Current load capability      | 200 mA                              |
| Short circuit protection     | built-in – self resetting           |
| Input threshold high   low   | $0.45 \times V_+   0.55 \times V_+$ |
| Impedance                    | 15 kΩ                               |
| Output polarity              | PNP                                 |
| Output function              | $\neg$ normally closed              |
| Number of operations         | $10^8 \dots 10^9$                   |
| Indicator LED idle↔touched   | green↔red                           |
| Operating temperature        | -40...+60 °C                        |
| IP Code (front)              | IP 69k                              |
| IP Code (rear)               | IP 67                               |
| IK impact protection (front) | IK 09                               |
| Sensing face material        | polycarbonate                       |
| Annular bezel material       | stainless steel 1.4305              |
| Connection                   | 2 m cable                           |
| Complies with                | CE, RoHS                            |



**Warranty** Our products are manufactured to stringent ISO 9001 European standards to ensure that our customers only receive the best quality.



Wiring diagram



## Intelligent Touch Button 4-Wire DC Dynamic Annular bezel: *Flush*

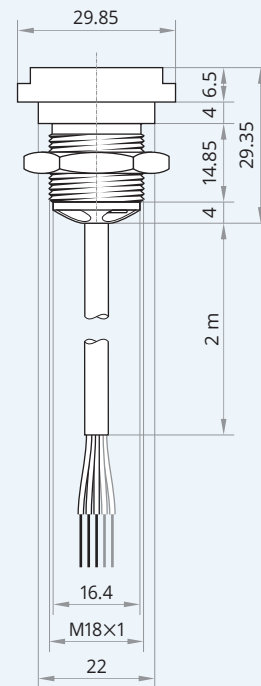


idle



touched

The photos show the same model with M8 male connector and with a pictogram as a sample.



Caution! This device shall not be used if the safety of persons rely on its faultless function.

XECRO reserves the right to make minor changes without prior notification.