

## TH22D-3POBR-N12

Mind O≠0, I≠I≠1, S≠5, B≠8.

Activation	touch
Thread	M22×1
Operating mode	dynamic
Operating voltage	10...35 V <sub>DC</sub>
Reverse polarity protection	built-in
Current consumption	<50 mA @ 35 V <sub>DC</sub>
Current load capability	200 mA
Short circuit protection	built-in – self resetting
Output polarity	PNP
Output function	—/— normally open
Number of operations	10 <sup>8</sup> ...10 <sup>9</sup>
Indicator LED idle↔touched	blue↔red
Operating temperature	–40...+60 °C
IP Code (front)	IP 69k
IP Code (rear)	IP 67
IK impact protection (front)	IK 09
Sensing face material	polycarbonate
Annular bezel material	stainless steel 1.4571
Connection	M12 male connector
Complies with	CE, RoHS



## Intelligent Touch Button 3-Wire DC Dynamic Annular bezel: *Hygienic*



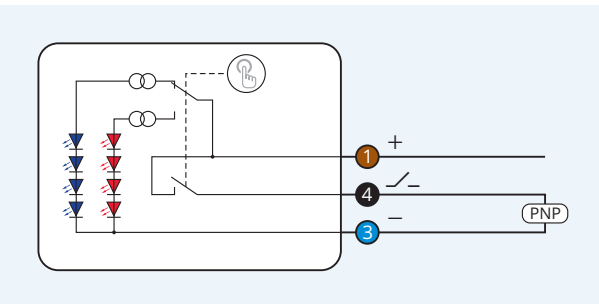
idle

touched

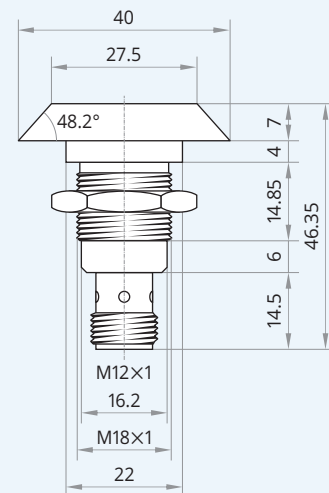
The photos show the same model with M8 male connector and with a pictogram as a sample.

**25 months** **Warranty** Our products are manufactured to stringent ISO 9001 European standards to ensure that our customers only receive the best quality.

Wiring diagram



Pinout



**⚠ Caution!** This device shall not be used if the safety of persons rely on its faultless function.

XECRO reserves the right to make minor changes without prior notification.