

## TH22D-4POGR-N12

Mind O≠0, I≠I≠1, S≠5, B≠8.

Activation	touch
Thread	M22×1
Operating mode	dynamic
Operating voltage $V_+$	10...35 $V_{DC}$
Reverse polarity protection	built-in
Current consumption	<50 mA @ 35 $V_{DC}$
Current load capability	200 mA
Short circuit protection	built-in – self resetting
Input threshold high   low	$0.45 \times V_+   0.55 \times V_+$
Impedance	15 k $\Omega$
Output polarity	PNP
Output function	—/— normally open
Number of operations	$10^8...10^9$
Indicator LED idle↔touched	green↔red
Operating temperature	–40...+60 °C
IP Code (front)	IP 69k
IP Code (rear)	IP 67
IK impact protection (front)	IK 09
Sensing face material	polycarbonate
Annular bezel material	stainless steel 1.4571
Connection	M12 male connector
Complies with	CE, RoHS



**Warranty** Our products are manufactured to stringent ISO 9001 European standards to ensure that our customers only receive the best quality.



## Intelligent Touch Button 4-Wire DC Dynamic Annular bezel: *Hygienic*



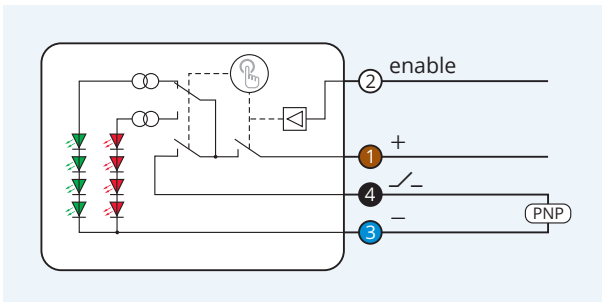
idle



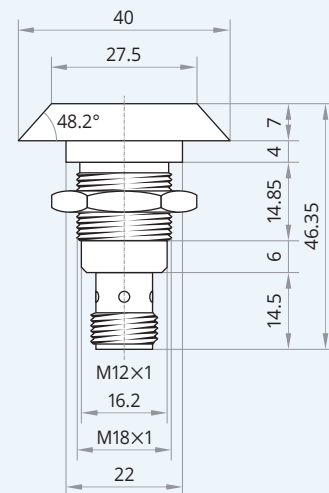
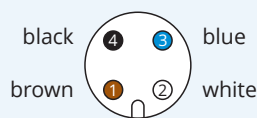
touched

The photos show the same model with M8 male connector and with a pictogram as a sample.

Wiring diagram



Pinout



Caution! This device shall not be used if the safety of persons rely on its faultless function.

XECRO reserves the right to make minor changes without prior notification.