

## TP22C-5NOWR-3U12

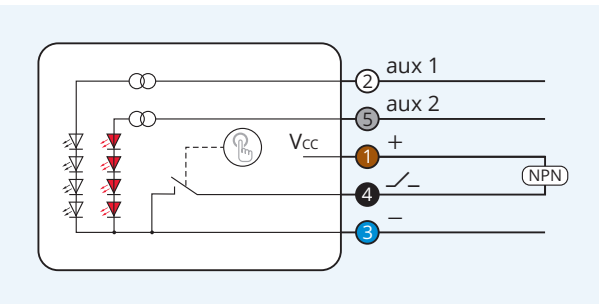
Mind O≠0, I≠I≠1, S≠5, B≠8.

|                              |                                     |
|------------------------------|-------------------------------------|
| Activation                   | touch                               |
| Thread                       | M22×1                               |
| Operating mode               | combination                         |
| Operating voltage $V_+$      | 10...35 V <sub>DC</sub>             |
| Reverse polarity protection  | built-in                            |
| Current consumption          | <50 mA @ 35 V <sub>DC</sub>         |
| Current load capability      | 200 mA                              |
| Short circuit protection     | built-in – self resetting           |
| Input treshold high   low    | $0.45 \times V_+   0.55 \times V_+$ |
| Impedance                    | 15 kΩ                               |
| Output polarity              | NPN                                 |
| Output function              | — normally open                     |
| Number of operations         | 10 <sup>8</sup> ...10 <sup>9</sup>  |
| Indicator LED aux 1↔aux 2    | white↔red                           |
| Operating temperature        | –40...+60 °C                        |
| IP Code (front)              | IP 69k                              |
| IP Code (rear)               | IP 67                               |
| IK impact protection (front) | IK 09                               |
| Sensing face material        | polycarbonate                       |
| Annular bezel material       | stainless steel 1.4305              |
| Connection                   | 30 cm cable, M12                    |
| Complies with                | CE, RoHS                            |



**25 months Warranty** Our products are manufactured to stringent ISO 9001 European standards to ensure that our customers only receive the best quality.

Wiring diagram



Pinout



## Intelligent Touch Button 5-Wire DC Combo Annular bezel: *Protector*



aux 1



aux 2

The photos show the same model with M8 male connector and with a pictogram as a sample.



**Caution!** This device shall not be used if the safety of persons rely on its faultless function.

XECRO reserves the right to make minor changes without prior notification.