

TP22D-4NCWR-3U12

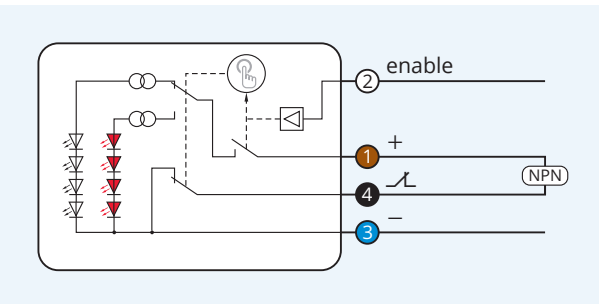
Mind O≠0, I≠I≠1, S≠5, B≠8.

Activation	touch
Thread	M22×1
Operating mode	dynamic
Operating voltage V_+	10...35 V _{DC}
Reverse polarity protection	built-in
Current consumption	<50 mA @ 35 V _{DC}
Current load capability	200 mA
Short circuit protection	built-in – self resetting
Input threshold high low	$0.45 \times V_+ \mid 0.55 \times V_+$
Impedance	15 kΩ
Output polarity	NPN
Output function	\neg normally closed
Number of operations	$10^8 \dots 10^9$
Indicator LED idle ↔ touched	white ↔ red
Operating temperature	-40...+60 °C
IP Code (front)	IP 69k
IP Code (rear)	IP 67
IK impact protection (front)	IK 09
Sensing face material	polycarbonate
Annular bezel material	stainless steel 1.4305
Connection	30 cm cable, M12
Complies with	CE, RoHS



25 months Warranty Our products are manufactured to stringent ISO 9001 European standards to ensure that our customers only receive the best quality.

Wiring diagram



Pinout



Caution! This device shall not be used if the safety of persons rely on its faultless function.

Intelligent Touch Button 4-Wire DC Dynamic Annular bezel: *Protector*



idle



touched

The photos show the same model with M8 male connector and with a pictogram as a sample.



XECRO reserves the right to make minor changes without prior notification.