

## TS22S-4NOWG-N2P

Mind O≠0, I≠I≠1, S≠5, B≠8.

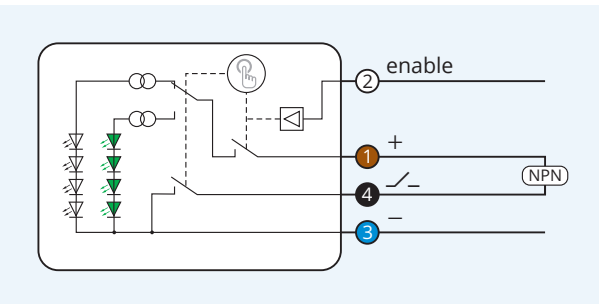
Activation	touch
Thread	M22×1
Operating mode	static
Operating voltage $V_+$	10...35 $V_{DC}$
Reverse polarity protection	built-in
Current consumption	<50 mA @ 35 $V_{DC}$
Current load capability	200 mA
Short circuit protection	built-in – self resetting
Input threshold high   low	$0.45 \times V_+   0.55 \times V_+$
Impedance	15 k $\Omega$
Output polarity	NPN
Output function	—/— normally open
Number of operations	$10^8...10^9$
Indicator LED idle↔touched	white↔green
Operating temperature	-40...+60 °C
IP Code (front)	IP 69k
IP Code (rear)	IP 67
IK impact protection (front)	IK 09
Sensing face material	polycarbonate
Annular bezel material	stainless steel 1.4305
Connection	2 m cable
Complies with	CE, RoHS



**Warranty** Our products are manufactured to stringent ISO 9001 European standards to ensure that our customers only receive the best quality.



Wiring diagram



## Intelligent Touch Button 4-Wire DC Static Annular bezel: *Standard*



idle



touched

The photos show the same model with M8 male connector and with a pictogram as a sample.



Caution! This device shall not be used if the safety of persons rely on its faultless function.

XECRO reserves the right to make minor changes without prior notification.