

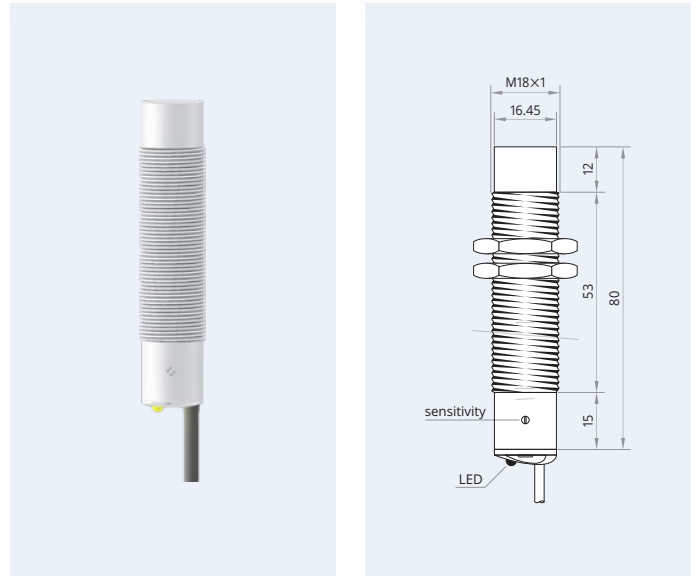
CS18-N15PO80T-A2S

Mind O≠0, I≠I≠1, S≠5, B≠8.


| | |
|-----------------------------|-----------------------------|
| Housing size | M18×1 |
| Mounting | non-flush |
| Sensing distance S_n | 15 mm |
| Operating voltage | 10...30 V _{DC} |
| Reverse polarity protection | built-in |
| Current consumption | <9 mA |
| Current load capability | 200 mA |
| Output function | —/— normally open |
| Output polarity | PNP |
| Short circuit protection | built-in, self-resetting |
| Voltage drop | <2 V @ 200 mA |
| Switching frequency | 100 Hz |
| Adjustment | multi-turn potentiometer |
| Operating temperature | −20...+70 °C · −3...+159 °F |
| Protection class | IP67 |
| Sensing face material | PTFE |
| Housing material | PTFE |
| Switching indicator | built-in |
| Connection | silicone |
| Complies with | CE, RoHS |



Capacitive Proximity Switch 3-Wire DC Chemical Resistant Sensing range: *Increased*



25 months **Warranty** Our products are manufactured to stringent ISO 9001 European standards to ensure that our customers only receive the best quality.



Wiring diagram



⚠ Caution! This device shall not be used if the safety of persons rely on its faultless function.

XECRO reserves the right to make minor changes without prior notification.