

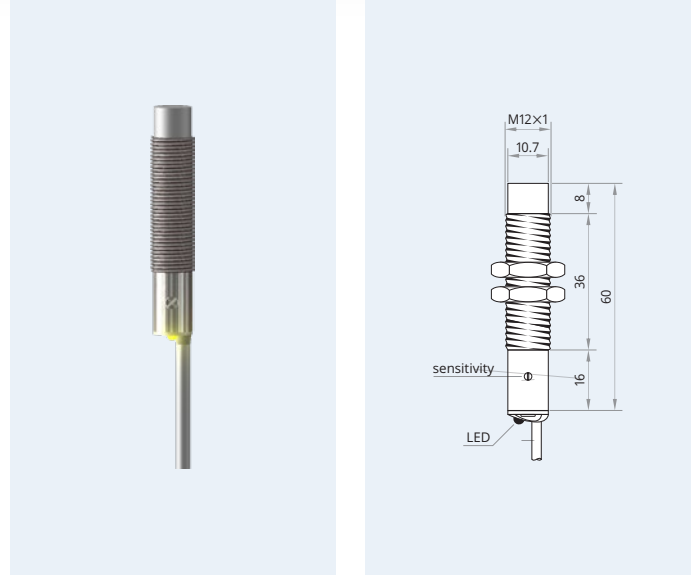
CHT12-N8ANC60-A2S

Mind O≠0, I≠I≠1, S≠5, B≠8.

| | |
|-----------------------------|------------------------------|
| Housing size | M12×1 |
| Mounting | non-flush |
| Sensing distance S_n | 8 mm |
| Operating voltage | 10...30 V _{DC} |
| Reverse polarity protection | built-in |
| Current consumption | <8 mA |
| Current load capability | 120 mA |
| Output function | ┘ normally closed |
| Output polarity | NPN |
| Short circuit protection | built-in, self-resetting |
| Voltage drop | <2 V @ 120 mA |
| Switching frequency | 50 Hz |
| Adjustment | multi-turn potentiometer |
| Operating temperature | -20...+120 °C · -3...+249 °F |
| Protection class | IP67 |
| Sensing face material | PTFE |
| Housing material | brass |
| Switching indicator | built-in* |
| Connection | silicone |
| Complies with | CE, RoHS |



Capacitive Proximity Switch 3-Wire DC High Temperature Resistant Sensing range: *Standard*

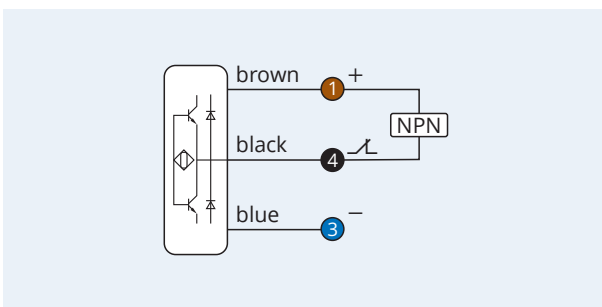


Maximum temperature: 120 °C · 249 °F

* Only for set-up. The LED may die if operated beyond 120 °C (249 °F). The LED is not covered by warranty.

25 months Warranty Our products are manufactured to stringent ISO 9001 European standards to ensure that our customers only receive the best quality.

Wiring diagram



Caution! This device shall not be used if the safety of persons rely on its faultless function.

XECRO reserves the right to make minor changes without prior notification.