

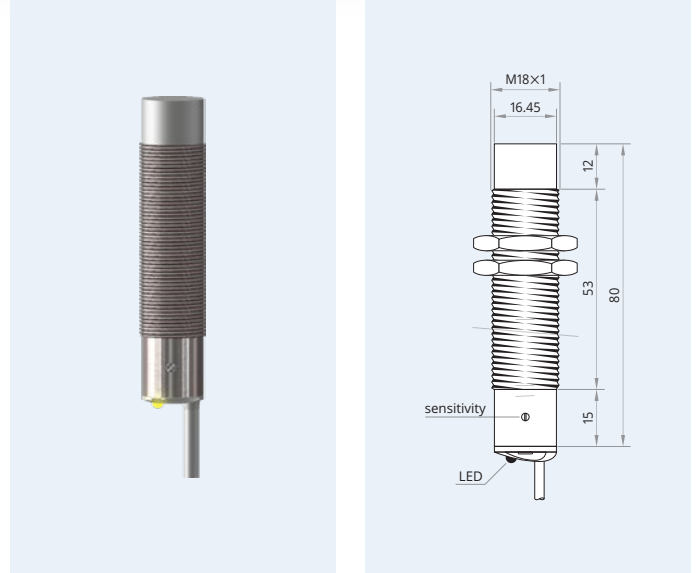
## CHT18-N15APC80-A2T

Mind O≠0, I≠I≠1, S≠5, B≠8.

Housing size	M18×1
Mounting	non-flush
Sensing distance $S_n$	15 mm
Operating voltage	10...30 V <sub>DC</sub>
Reverse polarity protection	built-in
Current consumption	<8 mA
Current load capability	150 mA
Output function	—/— normally closed
Output polarity	PNP
Short circuit protection	built-in, self-resetting
Voltage drop	<2 V @ 150 mA
Switching frequency	50 Hz
Adjustment	multi-turn potentiometer
Operating temperature	−20...+120 °C · −3...+249 °F
Protection class	IP67
Sensing face material	PTFE
Housing material	brass
Switching indicator	built-in*
Connection	PTFE
Complies with	CE, RoHS



## Capacitive Proximity Switch 3-Wire DC High Temperature Resistant Sensing range: *Standard*



Maximum temperature: 120 °C · 249 °F

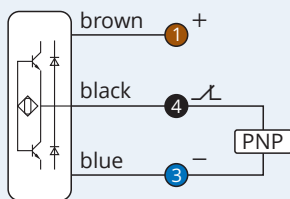
\* Only for set-up. The LED may die if operated beyond 120 °C (249 °F). The LED is not covered by warranty.



**Warranty** Our products are manufactured to stringent ISO 9001 European standards to ensure that our customers only receive the best quality.



### Wiring diagram



Caution! This device shall not be used if the safety of persons rely on its faultless function.

XECRO reserves the right to make minor changes without prior notification.