

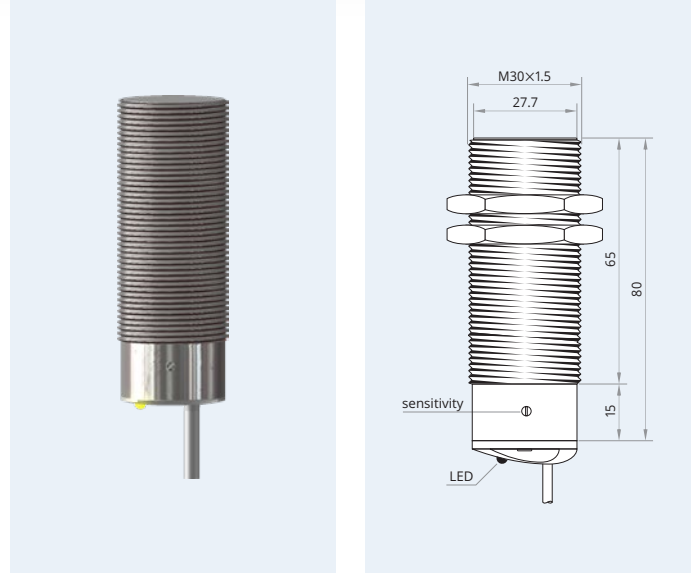
## CHT30-S20BPC80-A2S

Mind O≠0, I≠I≠1, S≠5, B≠8.

|                             |                              |
|-----------------------------|------------------------------|
| Housing size                | M30×1.5                      |
| Mounting                    | flush                        |
| Sensing distance $S_n$      | 20 mm                        |
| Operating voltage           | 10...30 V <sub>DC</sub>      |
| Reverse polarity protection | built-in                     |
| Current consumption         | <8 mA                        |
| Current load capability     | 100 mA                       |
| Output function             | ┘ normally closed            |
| Output polarity             | PNP                          |
| Short circuit protection    | built-in, self-resetting     |
| Voltage drop                | <2 V @ 150 mA                |
| Switching frequency         | 50 Hz                        |
| Adjustment                  | multi-turn potentiometer     |
| Operating temperature       | -20...+150 °C · -3...+303 °F |
| Protection class            | IP67                         |
| Sensing face material       | PTFE                         |
| Housing material            | brass                        |
| Switching indicator         | built-in*                    |
| Connection                  | silicone                     |
| Complies with               | CE, RoHS                     |



## Capacitive Proximity Switch 3-Wire DC High Temperature Resistant Sensing range: *Standard*

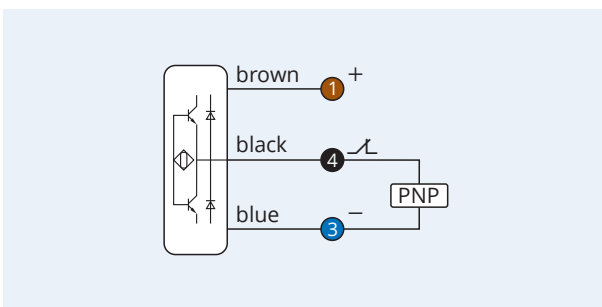


Maximum temperature: 150 °C · 303 °F

\* Only for set-up. The LED may die if operated beyond 120 °C (249 °F). The LED is not covered by warranty.

**25 months** **Warranty** Our products are manufactured to stringent ISO 9001 European standards to ensure that our customers only receive the best quality.

### Wiring diagram



**⚠** Caution! This device shall not be used if the safety of persons rely on its faultless function.

XECRO reserves the right to make minor changes without prior notification.