

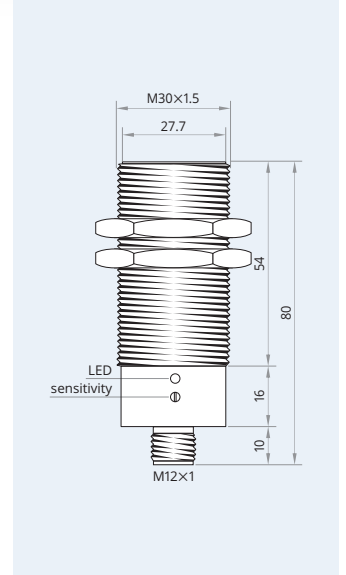
## CS30-S20NO80P-A12

Mind O≠0, I≠I≠1, S≠5, B≠8.

Housing size	M30×1.5
Mounting	flush
Sensing distance $S_n$	20 mm
Operating voltage	10...30 V <sub>DC</sub>
Reverse polarity protection	built-in
Current consumption	<9 mA
Current load capability	200 mA
Output function	—/— normally open
Output polarity	NPN
Short circuit protection	built-in, self-resetting
Voltage drop	<2 V @ 200 mA
Switching frequency	100 Hz
Adjustment	multi-turn potentiometer
Operating temperature	−20...+70 °C · −3...+159 °F
Protection class	IP 67
Sensing face material	PBT
Housing material	PBT
Switching indicator	built-in
Connection	male connector M12
Complies with	CE, RoHS

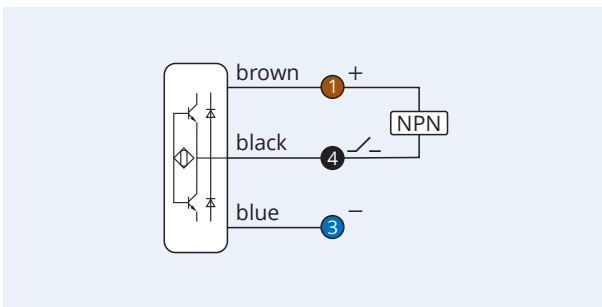


## Capacitive Proximity Switch 3-Wire DC Sensing range: *Increased*

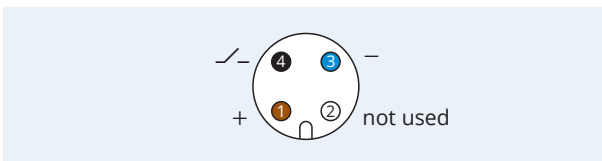


**25 months Warranty** Our products are manufactured to stringent ISO 9001 European standards to ensure that our customers only receive the best quality.

### Wiring diagram



### Pinout



**Caution!** This device shall not be used if the safety of persons rely on its faultless function.

XECRO reserves the right to make minor changes without prior notification.