

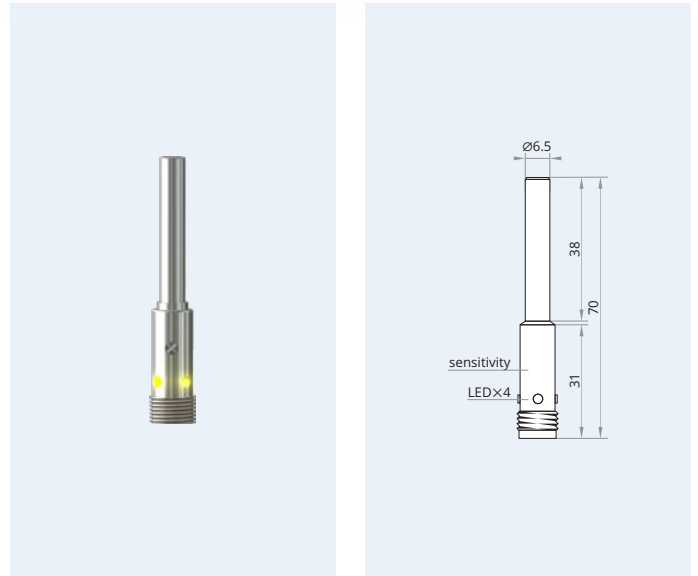
## CSD6-S2NO70-A12

Mind O≠0, I≠I≠1, S≠5, B≠8.

|                             |                             |
|-----------------------------|-----------------------------|
| Housing size                | ∅ 6.5 mm                    |
| Mounting                    | flush                       |
| Sensing distance $S_n$      | 2 mm                        |
| Operating voltage           | 10...30 V <sub>DC</sub>     |
| Reverse polarity protection | built-in                    |
| Current consumption         | <9 mA                       |
| Current load capability     | 200 mA                      |
| Output function             | —/— normally open           |
| Output polarity             | NPN                         |
| Short circuit protection    | built-in, self-resetting    |
| Voltage drop                | <2 V @ 200 mA               |
| Switching frequency         | 100 Hz                      |
| Adjustment                  | multi-turn potentiometer    |
| Operating temperature       | −20...+70 °C · −3...+159 °F |
| Protection class            | IP 67                       |
| Sensing face material       | PBT                         |
| Housing material            | SS 1.4301 (SAE 304)         |
| Switching indicator         | built-in                    |
| Connection                  | male connector M12          |
| Complies with               | CE, RoHS                    |



## Capacitive Proximity Switch 3-Wire DC Sensing range: *Increased*

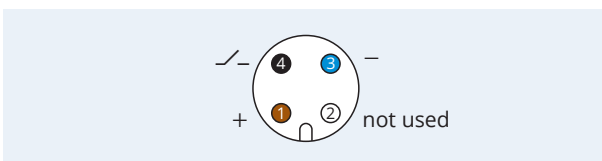


**25 months Warranty** Our products are manufactured to stringent ISO 9001 European standards to ensure that our customers only receive the best quality.

### Wiring diagram



### Pinout



**⚠ Caution!** This device shall not be used if the safety of persons rely on its faultless function.

XECRO reserves the right to make minor changes without prior notification.