

## FRH50P-NS-A8

Mind O≠0, I≠I≠1, S≠5, B≠8.

Supply voltage	10...35 V <sub>DC</sub>
Reverse polarity protection	built-in
Current consumption	<40 mA
Current load capability	200 mA
Output function	— / — ↔ —
Output polarity	NPN
IO-Link	not included
Evaluation principle	static
Resolution	0.2 mm
Switching frequency	5000 Hz
Repeatability	0.01 mm
Sensitivity adjustment	potentiometer
Impulse lengthening	20 ms
Short circuit protection	built-in, self-resetting
Voltage drop	<1.2 V @ 200 mA
Operating temperature	−20...+55 °C · −3...+132 °F
Ambient light immunity	>100 klx
IP code	IP67
Insulation voltage	500 V
Light source	LED red λ=630 nm
Housing material	zinc die-cast, powder-coated
Switching indicator	LED yellow
Connection	connector M8 Pico
Power-on delay	<0.4 s
Serial mounting	✓
Weight	80 g · 2.8 oz.
Tariff code	85365019
Complies with	CE, RoHS



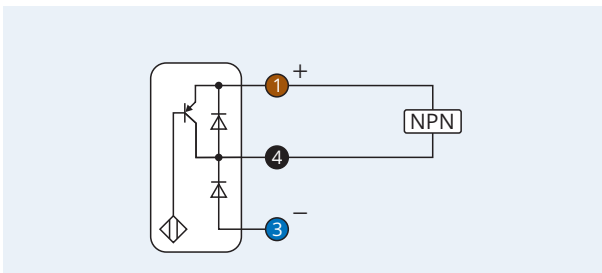
## Fork Light Barrier High Resolution LED red · 50 mm fork opening



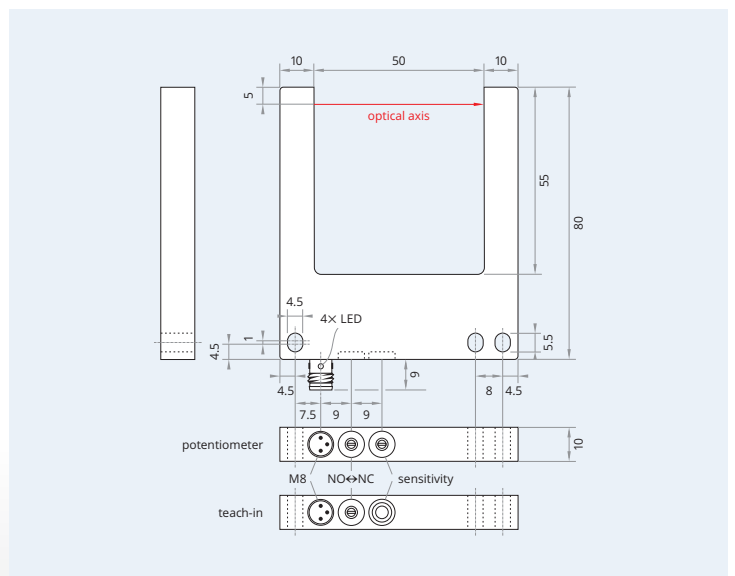
**Warranty** Our products are manufactured to stringent ISO 9001 European standards to ensure that our customers only receive the best quality.



Wiring diagram



Pinout



**Caution!** This device shall not be used if the safety of persons rely on its faultless function.

XECRO reserves the right to make minor changes without prior notification.