

FRH70P-PS-A8

Mind O≠0, I≠I≠1, S≠5, B≠8.

| | |
|-----------------------------|------------------------------|
| Supply voltage | 10...35 V _{DC} |
| Reverse polarity protection | built-in |
| Current consumption | <40 mA |
| Current load capability | 200 mA |
| Output function | — / — ↔ — |
| Output polarity | PNP |
| IO-Link | not included |
| Evaluation principle | static |
| Resolution | 0.2 mm |
| Switching frequency | 5000 Hz |
| Repeatability | 0.01 mm |
| Sensitivity adjustment | potentiometer |
| Impulse lengthening | 20 ms |
| Short circuit protection | built-in, self-resetting |
| Voltage drop | <1.2 V @ 200 mA |
| Operating temperature | −20...+55 °C · −3...+132 °F |
| Ambient light immunity | >100 klx |
| IP code | IP67 |
| Insulation voltage | 500 V |
| Light source | LED red λ=630 nm |
| Housing material | zinc die-cast, powder-coated |
| Switching indicator | LED yellow |
| Connection | connector M8 Pico |
| Power-on delay | <0.4 s |
| Serial mounting | ✓ |
| Weight | 93 g · 3.3 oz. |
| Tariff code | 85365019 |
| Complies with | CE, RoHS |



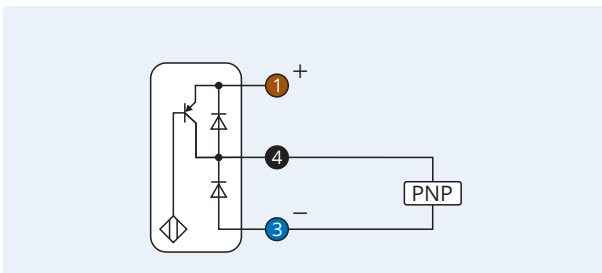
Fork Light Barrier High Resolution LED red · 70 mm fork opening



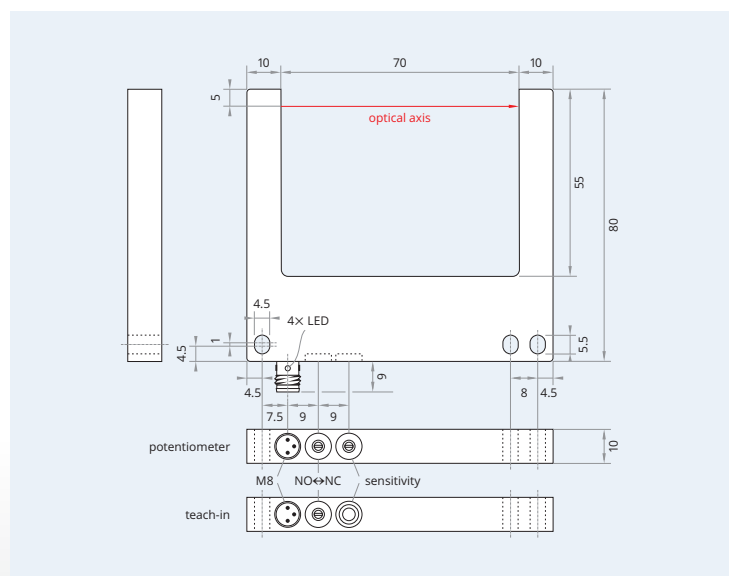
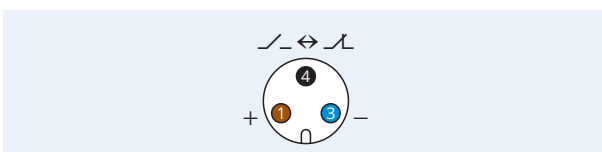
Warranty Our products are manufactured to stringent ISO 9001 European standards to ensure that our customers only receive the best quality.



Wiring diagram



Pinout



Caution! This device shall not be used if the safety of persons rely on its faultless function.

XECRO reserves the right to make minor changes without prior notification.