

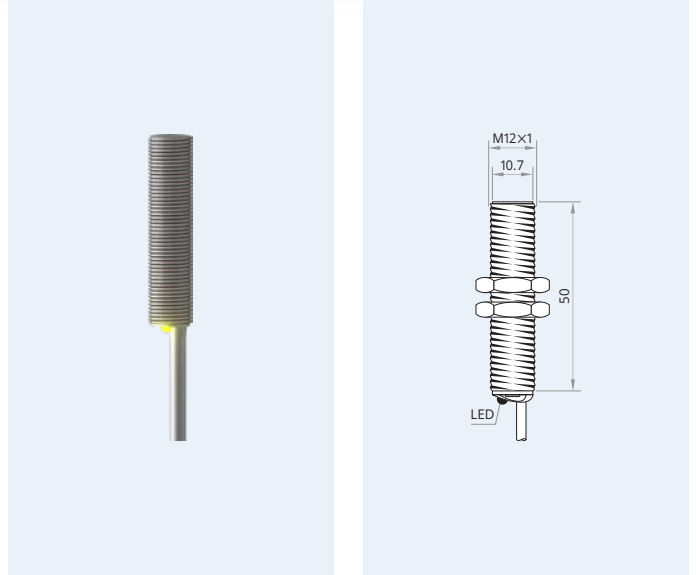
## IHT12-S2ANC50-A2T

Mind O≠0, I≠I≠1, S≠5, B≠8.

|                             |                               |
|-----------------------------|-------------------------------|
| Housing size                | M12×1                         |
| Mounting                    | flush                         |
| Sensing distance $S_n$      | 2 mm                          |
| Operating voltage           | 10...30 V <sub>DC</sub>       |
| Reverse polarity protection | built-in                      |
| Current consumption         | <8 mA                         |
| Current load capability     | 120 mA                        |
| Output function             | —/— normally closed           |
| Output polarity             | NPN                           |
| Short circuit protection    | built-in, self-resetting      |
| Voltage drop                | <2V @ 120 mA                  |
| Switching frequency         | 1000 Hz                       |
| Reduction factors           | Alu 0.45 · Brs 0.50 · VA 0.85 |
| Operating temperature       | −20...+120 °C · −3...+249 °F  |
| Protection class            | IP67                          |
| Sensing face material       | PTFE                          |
| Housing material            | SS 1.4301 (SAE 304)           |
| Switching indicator         | built-in*                     |
| Connection                  | PTFE                          |
| Complies with               | CE, RoHS                      |



## Inductive Proximity Switch 3-Wire DC High Temperature Resistant Sensing range: *Standard*



Maximum temperature: 120 °C · 249 °F

\* Only for set-up. The LED may die if operated beyond 120 °C (249 °F). The LED is not covered by warranty.

**25 months** **Warranty** Our products are manufactured to stringent ISO 9001 European standards to ensure that our customers only receive the best quality.

Wiring diagram



Clearance for parallel mounting



Clearance for opposing mounting



**⚠** Caution! This device shall not be used if the safety of persons rely on its faultless function.

XECRO reserves the right to make minor changes without prior notification.