

## IHT18-N8BPO55-N2T

Mind O≠0, I≠I≠1, S≠5, B≠8.

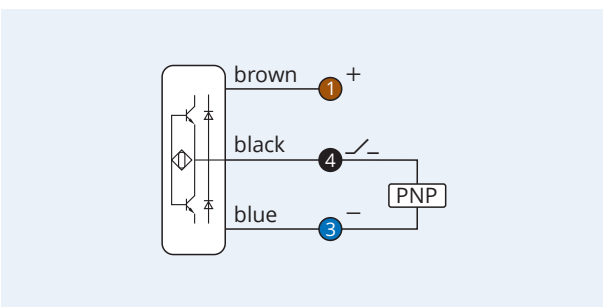
|                             |                               |
|-----------------------------|-------------------------------|
| Housing size                | M18×1                         |
| Mounting                    | non-flush                     |
| Sensing distance $S_n$      | 8 mm                          |
| Operating voltage           | 10...30 V <sub>DC</sub>       |
| Reverse polarity protection | built-in                      |
| Current consumption         | <8 mA                         |
| Current load capability     | 100 mA                        |
| Output function             | —/— normally open             |
| Output polarity             | PNP                           |
| Short circuit protection    | built-in, self-resetting      |
| Voltage drop                | <2V @ 150 mA                  |
| Switching frequency         | 500 Hz                        |
| Reduction factors           | Alu 0.45 · Brs 0.50 · VA 0.85 |
| Operating temperature       | −20...+150 °C · −3...+303 °F  |
| Protection class            | IP67                          |
| Sensing face material       | PTFE                          |
| Housing material            | SS 1.4301 (SAE 304)           |
| Connection                  | PTFE                          |
| Clearance z                 | 24 mm                         |
| Clearance x                 | 20 mm                         |
| Complies with               | CE, RoHS                      |



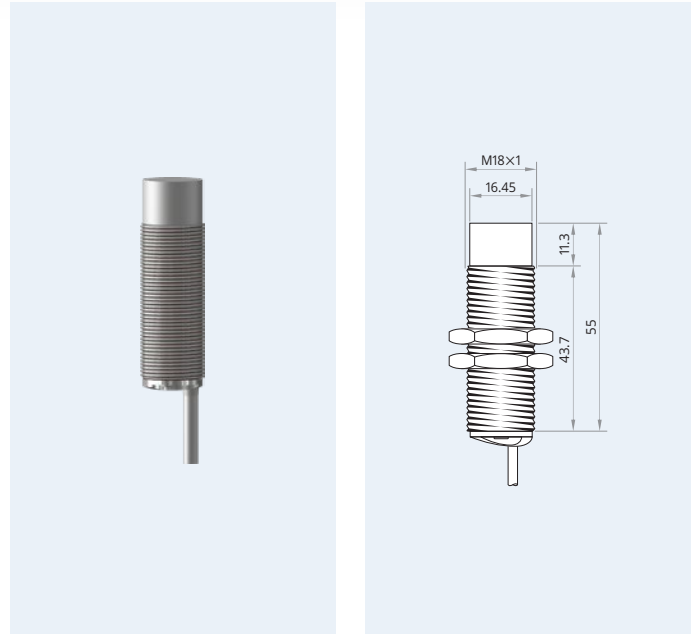
**Warranty** Our products are manufactured to stringent ISO 9001 European standards to ensure that our customers only receive the best quality.



Wiring diagram

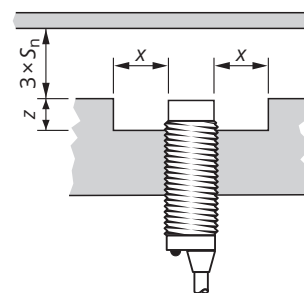


## Inductive Proximity Switch 3-Wire DC High Temperature Resistant Sensing range: *Standard*



Maximum temperature: 150 °C · 303 °F

Clearance for parallel mounting



Caution! This device shall not be used if the safety of persons rely on its faultless function.

XECRO reserves the right to make minor changes without prior notification.