

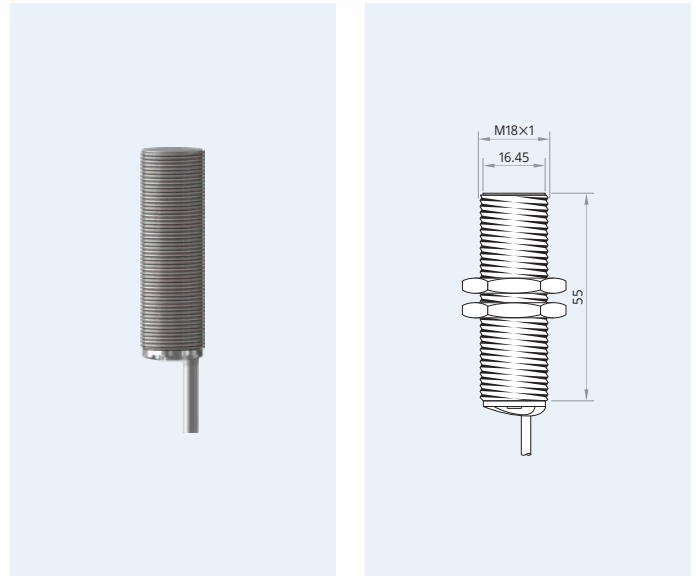
IHT18-S5ANC55-N2T

Mind O≠0, I≠I≠1, S≠5, B≠8.

| | |
|-----------------------------|-------------------------------|
| Housing size | M18×1 |
| Mounting | flush |
| Sensing distance S_n | 5 mm |
| Operating voltage | 10...30 V _{DC} |
| Reverse polarity protection | built-in |
| Current consumption | <8 mA |
| Current load capability | 150 mA |
| Output function | — normally closed |
| Output polarity | NPN |
| Short circuit protection | built-in, self-resetting |
| Voltage drop | <2V @ 150 mA |
| Switching frequency | 500 Hz |
| Reduction factors | Alu 0.45 · Brs 0.50 · VA 0.85 |
| Operating temperature | −20...+120 °C · −3...+249 °F |
| Protection class | IP67 |
| Sensing face material | PTFE |
| Housing material | SS 1.4301 (SAE 304) |
| Connection | PTFE |
| Complies with | CE, RoHS |



Inductive Proximity Switch 3-Wire DC High Temperature Resistant Sensing range: *Standard*



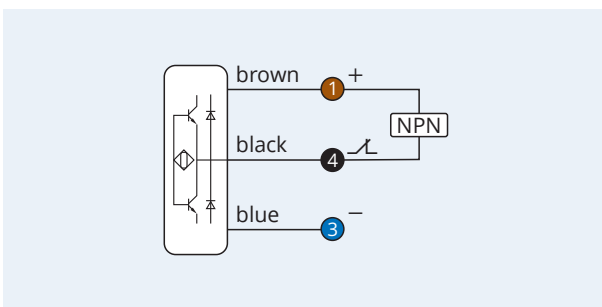
Maximum temperature: 120 °C · 249 °F



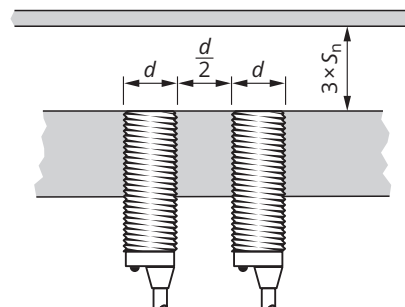
Warranty Our products are manufactured to stringent ISO 9001 European standards to ensure that our customers only receive the best quality.



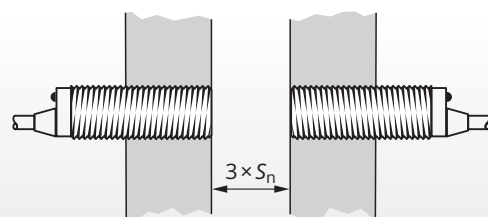
Wiring diagram



Clearance for parallel mounting



Clearance for opposing mounting



Caution! This device shall not be used if the safety of persons rely on its faultless function.

XECRO reserves the right to make minor changes without prior notification.