

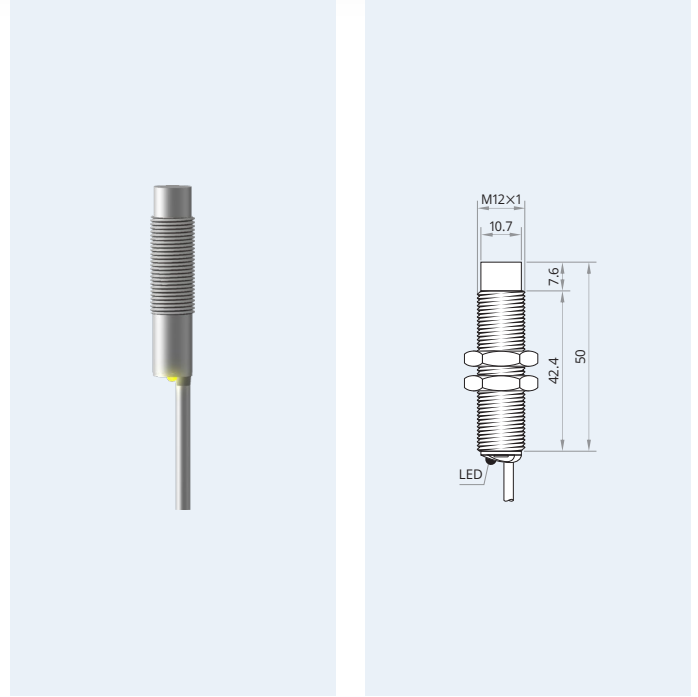
ILT12-N8PC50-A2P

Mind O≠0, I≠I≠1, S≠5, B≠8.

Housing size	M12×1
Mounting	non-flush
Sensing distance S_n	8 mm
Operating voltage	10...30 V _{DC}
Reverse polarity protection	built-in
Current consumption	<8 mA
Current load capability	200 mA
Output function	\neg
Output polarity	PNP
Short circuit protection	built-in, self-resetting
Voltage drop	<1.5 V @ 200 mA
Switching frequency	800 Hz
Reduction factors	Alu 0.45 · Brs 0.50 · VA 0.85
Operating temperature	-40...+70 °C · -39...+159 °F
IP code	IP67k, IP67 rear end
Sensing face material	PBT
Housing material	PBT
Switching indicator	LED yellow
Connection	PVC cable, 2 m
Tightening torque maximum	1 Nm
Tariff code	85365019
Clearance z	14 mm
Complies with	CE



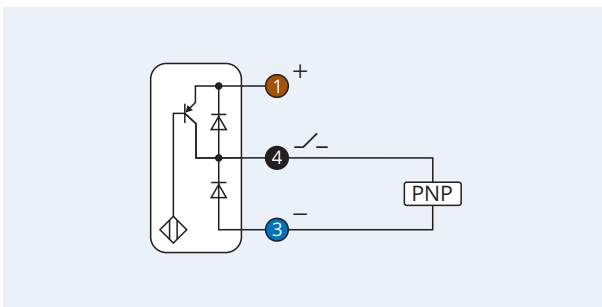
Inductive Proximity Switch 3-Wire DC Low Temperature Resistant Sensing range: *Increased*



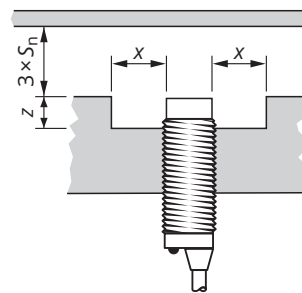
Warranty Our products are manufactured to stringent ISO 9001 European standards to ensure that our customers only receive the best quality.



Wiring diagram



Clearance for parallel mounting



Caution! This device shall not be used if the safety of persons rely on its faultless function.

XECRO reserves the right to make minor changes without prior notification.