

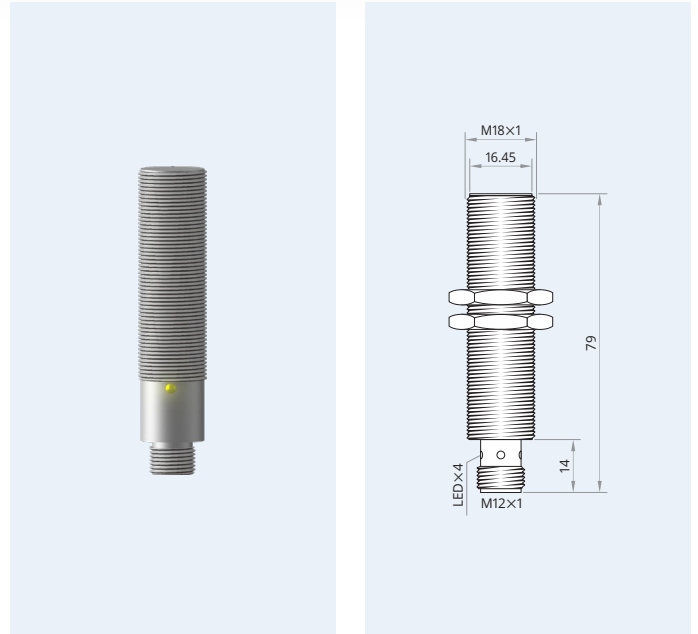
ILT18-S8NC79-A12

Mind O≠0, I≠I≠1, S≠5, B≠8.

Housing size	M18×1
Mounting	flush
Sensing distance S_n	8 mm
Operating voltage	10...30 V _{DC}
Reverse polarity protection	built-in
Current consumption	<8 mA
Current load capability	200 mA
Output function	—
Output polarity	NPN
Short circuit protection	built-in, self-resetting
Voltage drop	<1.5 V @ 200 mA
Switching frequency	500 Hz
Reduction factors	Alu 0.45 · Brs 0.68 · VA 0.85
Operating temperature	−40...+70 °C · −39...+159 °F
IP code	IP67k, IP67 rear end
Sensing face material	PBT
Housing material	PBT
Switching indicator	LED yellow
Connection	male connector M12
Tightening torque maximum	1.5 Nm
Tariff code	85365019
Complies with	CE

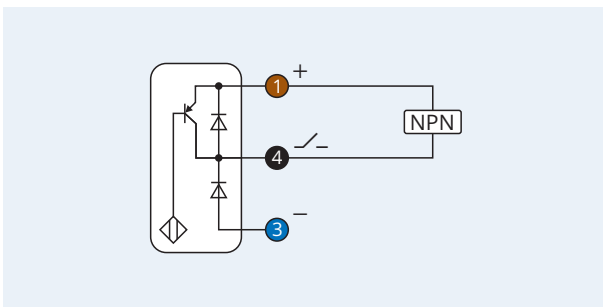


Inductive Proximity Switch 3-Wire DC Low Temperature Resistant Sensing range: *Increased*

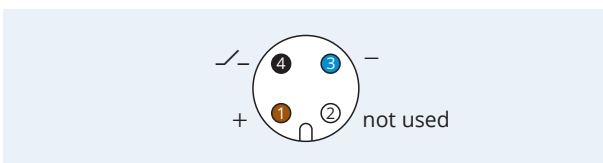


25 months Warranty Our products are manufactured to stringent ISO 9001 European standards to ensure that our customers only receive the best quality.

Wiring diagram



Pinout



Clearance for parallel mounting



Clearance for opposing mounting



Caution! This device shall not be used if the safety of persons rely on its faultless function.

XECRO reserves the right to make minor changes without prior notification.