

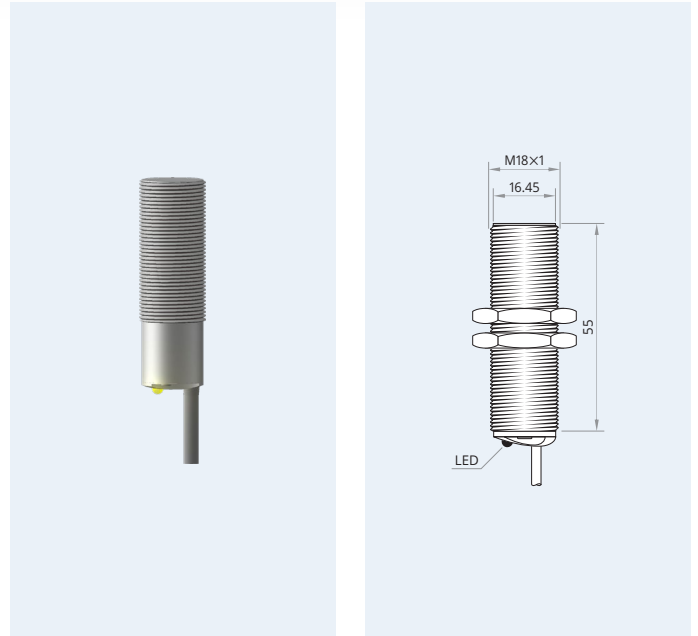
ILT18-S8NO55-A2P

Mind O≠0, I≠I≠1, S≠5, B≠8.

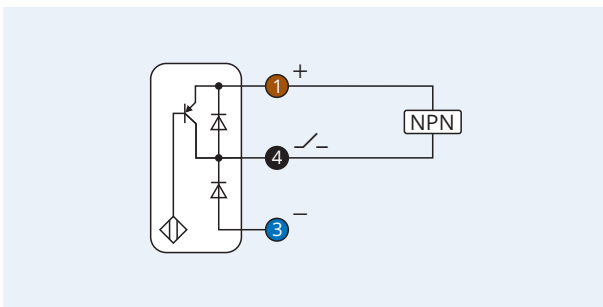
Housing size	M18×1
Mounting	flush
Sensing distance S_n	8 mm
Operating voltage	10...30 V _{DC}
Reverse polarity protection	built-in
Current consumption	<8 mA
Current load capability	200 mA
Output function	—/—
Output polarity	NPN
Short circuit protection	built-in, self-resetting
Voltage drop	<1.5 V @ 200 mA
Switching frequency	500 Hz
Reduction factors	Alu 0.45 · Brs 0.50 · VA 0.85
Operating temperature	−40...+70 °C · −39...+159 °F
IP code	IP67k, IP67 rear end
Sensing face material	PBT
Housing material	PBT
Switching indicator	LED yellow
Connection	PVC cable, 2 m
Tightening torque maximum	1.5 Nm
Tariff code	85365019
Complies with	CE



Inductive Proximity Switch 3-Wire DC Low Temperature Resistant Sensing range: *Increased*

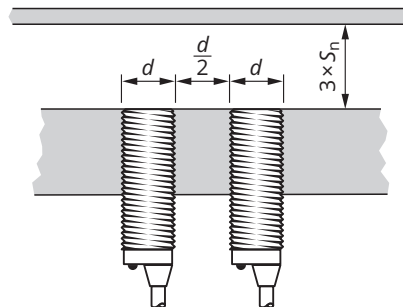


Wiring diagram

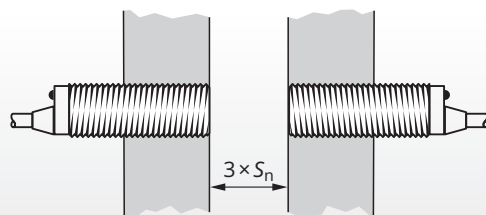


25 months **Warranty** Our products are manufactured to stringent ISO 9001 European standards to ensure that our customers only receive the best quality.

Clearance for parallel mounting



Clearance for opposing mounting



⚠ Caution! This device shall not be used if the safety of persons rely on its faultless function.

XECRO reserves the right to make minor changes without prior notification.