

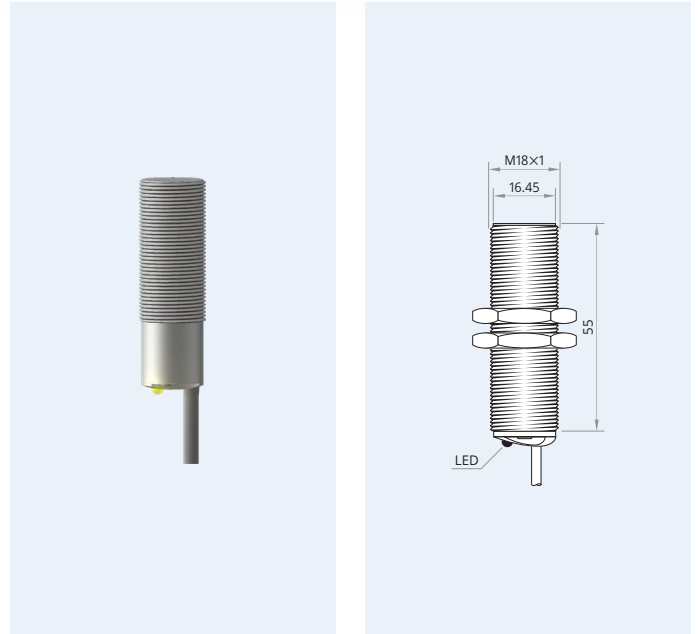
ILT18-S8PC55-A2P

Mind O≠0, I≠I≠1, S≠5, B≠8.

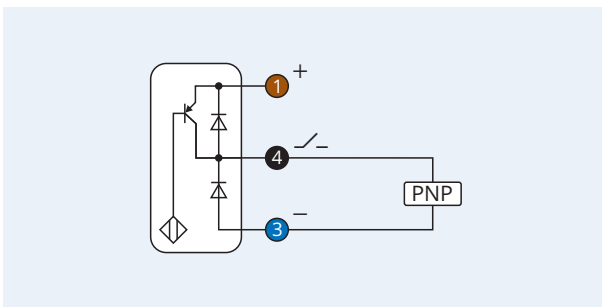
| | |
|-----------------------------|-------------------------------|
| Housing size | M18×1 |
| Mounting | flush |
| Sensing distance S_n | 8 mm |
| Operating voltage | 10...30 V _{DC} |
| Reverse polarity protection | built-in |
| Current consumption | <8 mA |
| Current load capability | 200 mA |
| Output function | — |
| Output polarity | PNP |
| Short circuit protection | built-in, self-resetting |
| Voltage drop | <1.5 V @ 200 mA |
| Switching frequency | 500 Hz |
| Reduction factors | Alu 0.45 · Brs 0.50 · VA 0.85 |
| Operating temperature | −40...+70 °C · −39...+159 °F |
| IP code | IP67k, IP67 rear end |
| Sensing face material | PBT |
| Housing material | PBT |
| Switching indicator | LED yellow |
| Connection | PVC cable, 2 m |
| Tightening torque maximum | 1.5 Nm |
| Tariff code | 85365019 |
| Complies with | CE |



Inductive Proximity Switch 3-Wire DC Low Temperature Resistant Sensing range: *Increased*



Wiring diagram



25 months Warranty Our products are manufactured to stringent ISO 9001 European standards to ensure that our customers only receive the best quality.

Clearance for parallel mounting



Clearance for opposing mounting



Caution! This device shall not be used if the safety of persons rely on its faultless function.

XECRO reserves the right to make minor changes without prior notification.