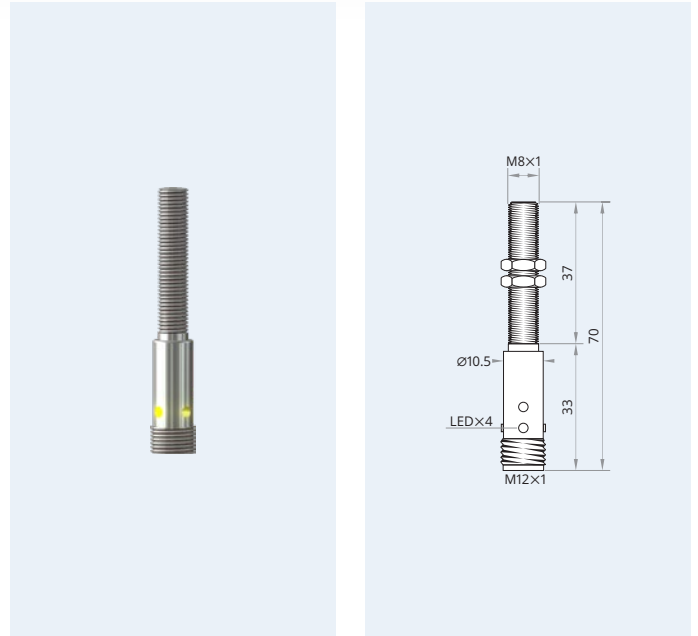


## IPS8-S3PO70-A12

Mind O≠0, I≠I≠1, S≠5, B≠8.

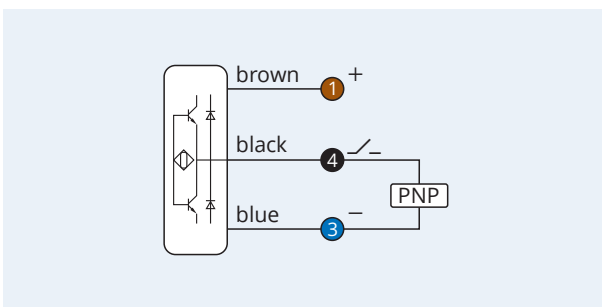
|                             |                               |
|-----------------------------|-------------------------------|
| Housing size                | M8×1                          |
| Mounting                    | semi-flush                    |
| Sensing distance $S_n$      | 3 mm                          |
| Operating voltage           | 10...30 V <sub>DC</sub>       |
| Reverse polarity protection | built-in                      |
| Current consumption         | <8 mA                         |
| Current load capability     | 200 mA                        |
| Output function             | —/— normally open             |
| Output polarity             | PNP                           |
| Short circuit protection    | built-in, self-resetting      |
| Voltage drop                | <1.5 V @ 200 mA               |
| Switching frequency         | 1000 Hz                       |
| Reduction factors           | Alu 0.45 · Brs 0.50 · SS 0.85 |
| Operating temperature       | −20...+70 °C · −3...+159 °F   |
| Protection class            | IP67                          |
| Sensing face material       | PBT                           |
| Housing material            | SS 1.4301 (SAE 304)           |
| Switching indicator         | built-in                      |
| Connection                  | male connector M12            |
| Clearance z                 | 1 mm                          |
| Complies with               | CE, RoHS                      |

## Inductive Proximity Switch 3-Wire DC Sensing range: *Extended*

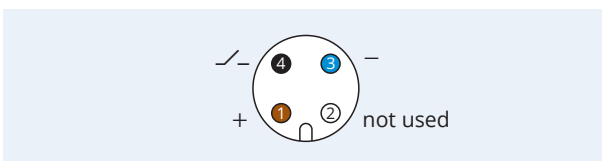


**25 months** **Warranty** Our products are manufactured to stringent ISO 9001 European standards to ensure that our customers only receive the best quality.

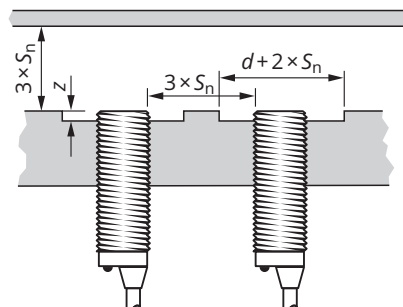
Wiring diagram



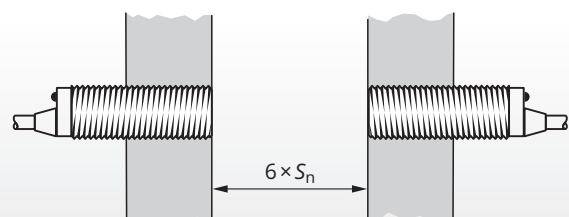
Pinout



Clearance for parallel mounting



Clearance for opposing mounting



**⚠ Caution!** This device shall not be used if the safety of persons rely on its faultless function.

XECRO reserves the right to make minor changes without prior notification.