

IA30-N40VI020-G12

Mind O≠0, I≠I≠1, S≠5, B≠8.

Housing size	M30×1.5
Mounting	non-flush
Measuring range	0...40 mm
Operating voltage	15...30 V _{DC}
Reverse polarity protection	built-in
Current consumption	<25 mA
Load resistor*	V: ≥10 kΩ · I: ≤500 Ω
Output characteristics	0...10 V · 0...20 mA
Overload protection	built-in
Output frequency	≤300 Hz
Reduction factors	Alu 0.45 · Brs 0.50 · SS 0.85
Operating temperature	0...+70 °C · +33...+159 °F
IP code	IP67
Sensing face material	PBT
Housing material	brass
Connection	male connector M12
Clearance z	35 mm
Clearance x	38 mm
Complies with	CE, RoHS



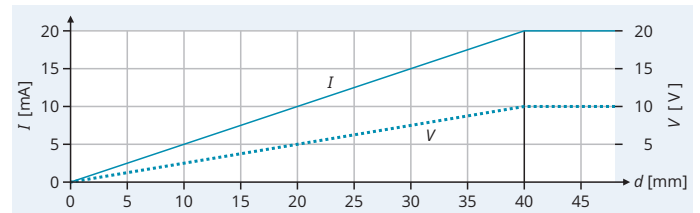
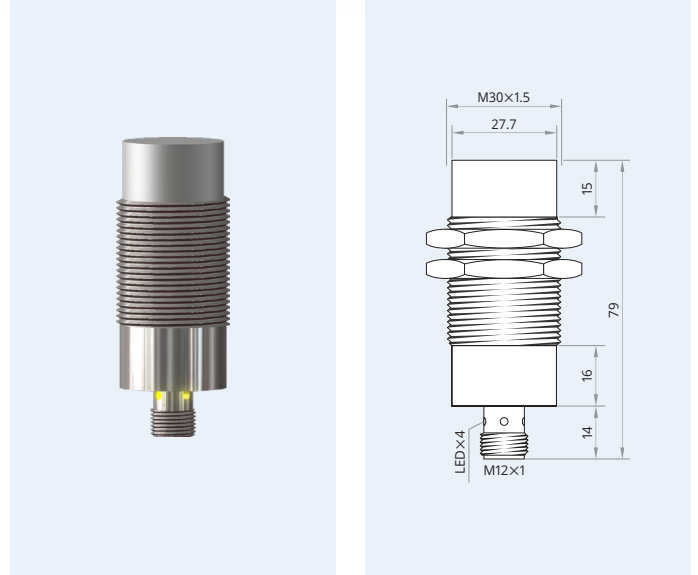
* V: for voltage output · I: for current output

25
months

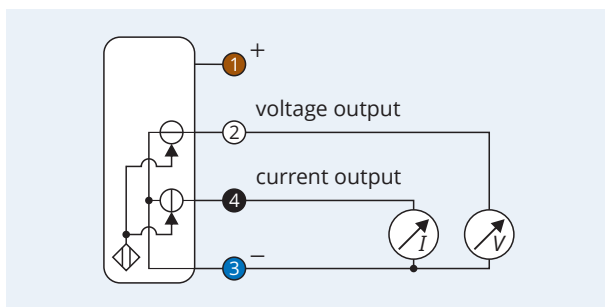
Warranty Our products are manufactured to stringent ISO 9001 European standards to ensure that our customers only receive the best quality.

ISO 9001:2015

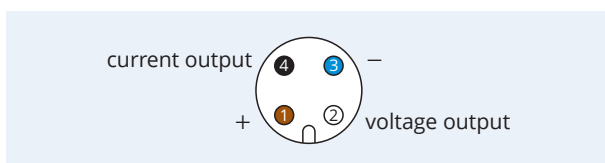
Inductive Proximity Switch 4-Wire Analog Output Sensing range: *Extended*



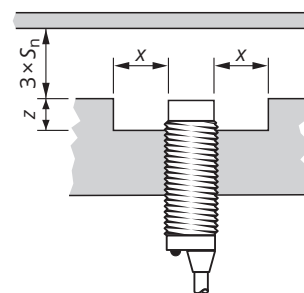
Wiring diagram



Pinout



Clearance for parallel mounting



⚠ Caution! This device shall not be used if the safety of persons rely on its faultless function.

XECRO reserves the right to make minor changes without prior notification.