

## MLH22-LC-N12

Mind O≠0, I≠I≠1, S≠5, B≠8.

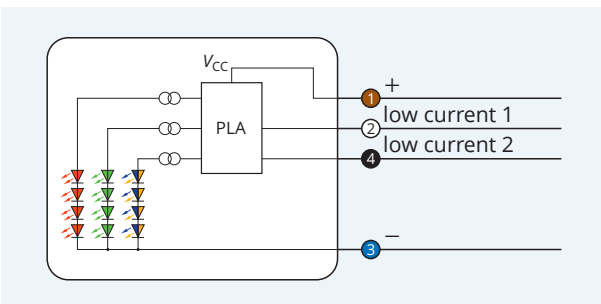
Mounting hole	∅ 22.5 mm mount. standard
Supply voltage	10...35 V <sub>DC</sub>
Reverse polarity protection	built-in
Current consumption	<50 mA
Light source	high efficient LED
PWM dimmable	no
Housing material	stainless steel 1.4305
Annular bezel material	stainless steel 1.4404
Pane material	polycarbonate
Operating temperature	-20...+50 °C   -4...+122 °F
IP code (front)	IP69k
IP code (rear)	IP67
Connection	male connector M12
Tightening torque maximum	48 Nm · 35 lb-ft
Weight	66 g · 2.3 oz.
Tariff code	85318070
Complies with	CE



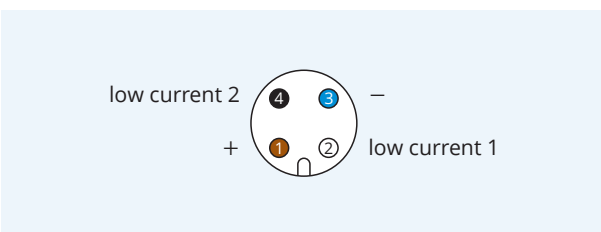
**Warranty** Our products are manufactured to stringent ISO 9001 European standards to ensure that our customers only receive the best quality.



Wiring diagram



Pinout

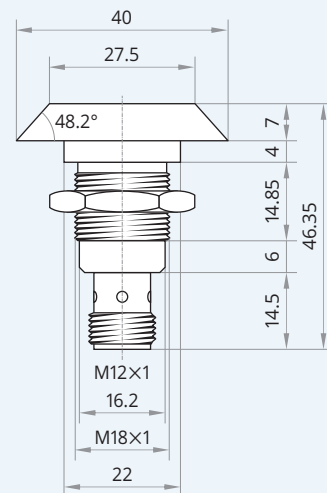


**Caution!** This device shall not be used if the safety of persons rely on its faultless function.

## Multicolor LED Indicator 4-Wire DC · Annular bezel: Hygienic Control by low current



Red is an example. An arbitrary color and a blink rhythm can be assigned to each of the  $2^2-1=3$  combinations defined by two input bits.



XECRO reserves the right to make minor changes without prior notification.