

MLP22-SY-N12

Mind O≠0, I≠I≠1, S≠5, B≠8.

| | |
|-----------------------------|-----------------------------|
| Mounting hole | ∅ 22.5 mm mount. standard |
| Supply voltage | 10...35 V _{DC} |
| Reverse polarity protection | built-in |
| Current consumption | <50 mA |
| Light source | high efficient LED |
| PWM dimmable | no |
| Housing material | stainless steel 1.4305 |
| Annular bezel material | stainless steel 1.4305 |
| Pane material | polycarbonate |
| Operating temperature | -20...+50 °C -4...+122 °F |
| IP code (front) | IP69k |
| IP code (rear) | IP67 |
| Connection | male connector M12 |
| Tightening torque maximum | 48 Nm · 35 lb-ft |
| Weight | 52 g · 1.8 oz. |
| Tariff code | 85318070 |
| Complies with | CE |



Multicolor LED Indicator 4-Wire DC · Annular bezel: Protector Synchronized blink rhythm



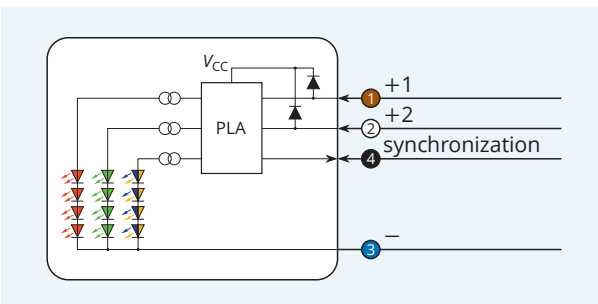
Red is an example. An arbitrary color and a blink rhythm can be assigned to each of the $2^2-1=3$ combinations defined by two input bits.

25

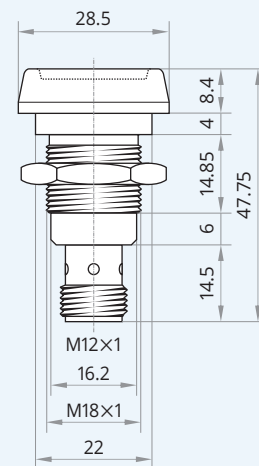
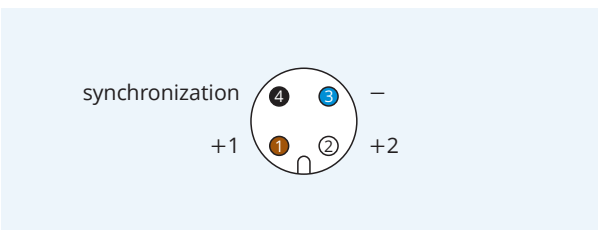
months

Warranty Our products are manufactured to stringent ISO 9001 European standards to ensure that our customers only receive the best quality.

Wiring diagram



Pinout



Caution! This device shall not be used if the safety of persons rely on its faultless function.

XECRO reserves the right to make minor changes without prior notification.