

## MLS18-LC-N2P

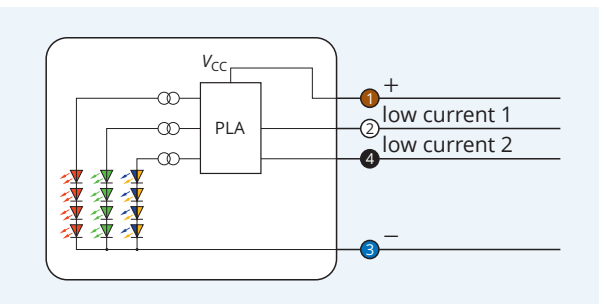
Mind O≠0, I≠I=1, S≠5, B≠8.

Mounting hole	M18
Supply voltage	10...35 V <sub>DC</sub>
Reverse polarity protection	built-in
Current consumption	<50 mA
Light source	high efficient LED
PWM dimmable	no
Housing material	brass, nickel plated
Cap material	polycarbonate
Operating temperature	-20...+50 °C   -4...+122 °F
IP code (front)	IP67
Connection	cable 2 m PVC
Tightening torque maximum	35 Nm · 26 lb-ft
Weight	91 g · 3.2 oz.
Tariff code	85318070
Complies with	CE



**25 months** **Warranty** Our products are manufactured to stringent ISO 9001 European standards to ensure that our customers only receive the best quality.

Wiring diagram

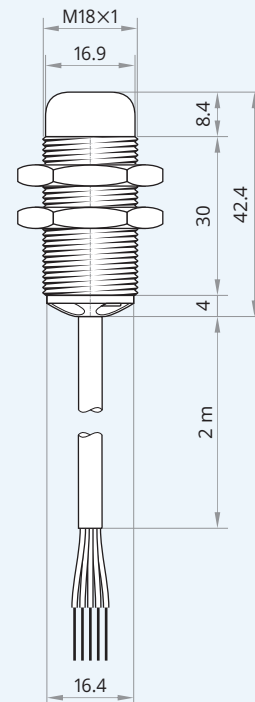


## Multicolor LED Indicator 4-Wire DC Control by low current



Red is an example. An arbitrary color and a blink rhythm can be assigned to each of the  $2^2-1=3$  combinations defined by two input bits.

This photo shows the same model with male connector.



**Caution!** This device shall not be used if the safety of persons rely on its faultless function.

XECRO reserves the right to make minor changes without prior notification.