

MLS18-SY-N2P

Mind O≠0, I≠I≠1, S≠5, B≠8.

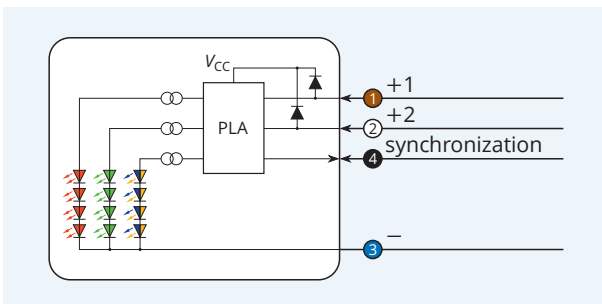
Mounting hole	M18
Supply voltage	10...35 V _{DC}
Reverse polarity protection	built-in
Current consumption	<50 mA
Light source	high efficient LED
PWM dimmable	no
Housing material	brass, nickel plated
Cap material	polycarbonate
Operating temperature	-20...+50 °C -4...+122 °F
IP code (front)	IP67
Connection	cable 2 m PVC
Tightening torque maximum	35 Nm · 26 lb-ft
Weight	91 g · 3.2 oz.
Tariff code	85318070
Complies with	CE



Warranty Our products are manufactured to stringent ISO 9001 European standards to ensure that our customers only receive the best quality.



Wiring diagram

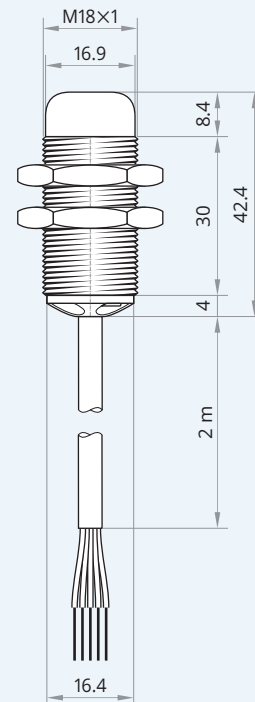


Multicolor LED Indicator 4-Wire DC Synchronized blink rhythm



Red is an example. An arbitrary color and a blink rhythm can be assigned to each of the $2^2-1=3$ combinations defined by two input bits.

This photo shows the same model with male connector.



Caution! This device shall not be used if the safety of persons rely on its faultless function.

XECRO reserves the right to make minor changes without prior notification.