

## MLS22-PW-N2P

Mind O≠0, I≠I≠1, S≠5, B≠8.

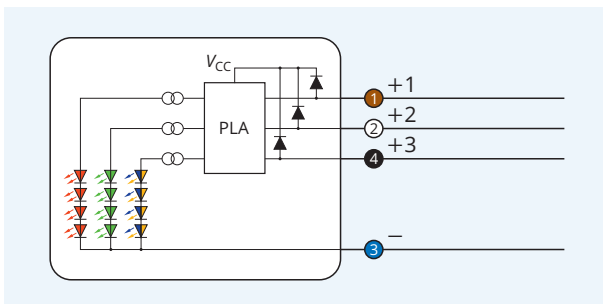
Mounting hole	∅ 22.5 mm mount. standard
Supply voltage	10...35 V <sub>DC</sub>
Reverse polarity protection	built-in
Current consumption	<50 mA
Light source	high efficient LED
PWM dimmable	no
Housing material	stainless steel 1.4305
Annular bezel material	stainless steel 1.4305
Pane material	polycarbonate
Operating temperature	-20...+50 °C   -4...+122 °F
IP code (front)	IP69k
IP code (rear)	IP67
Connection	cable 2 m PVC
Tightening torque maximum	48 Nm · 35 lb-ft
Weight	84 g · 3 oz.
Tariff code	85318070
Complies with	CE



**Warranty** Our products are manufactured to stringent ISO 9001 European standards to ensure that our customers only receive the best quality.



Wiring diagram

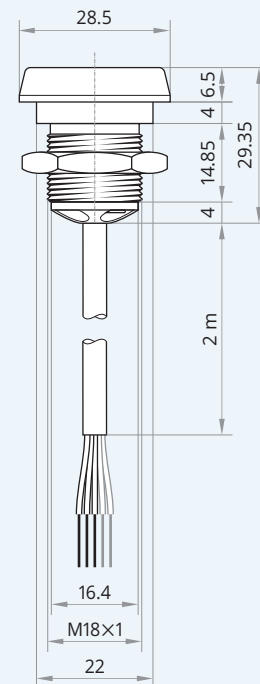


## Multicolor LED Indicator 4-Wire DC · Annular bezel: Standard Control by power supply



Red is an example. An arbitrary color and a blink rhythm can be assigned to each of the  $2^3 - 1 = 7$  combinations defined by three input bits.

This photo shows the same model with male connector.



Caution! This device shall not be used if the safety of persons rely on its faultless function.

XECRO reserves the right to make minor changes without prior notification.